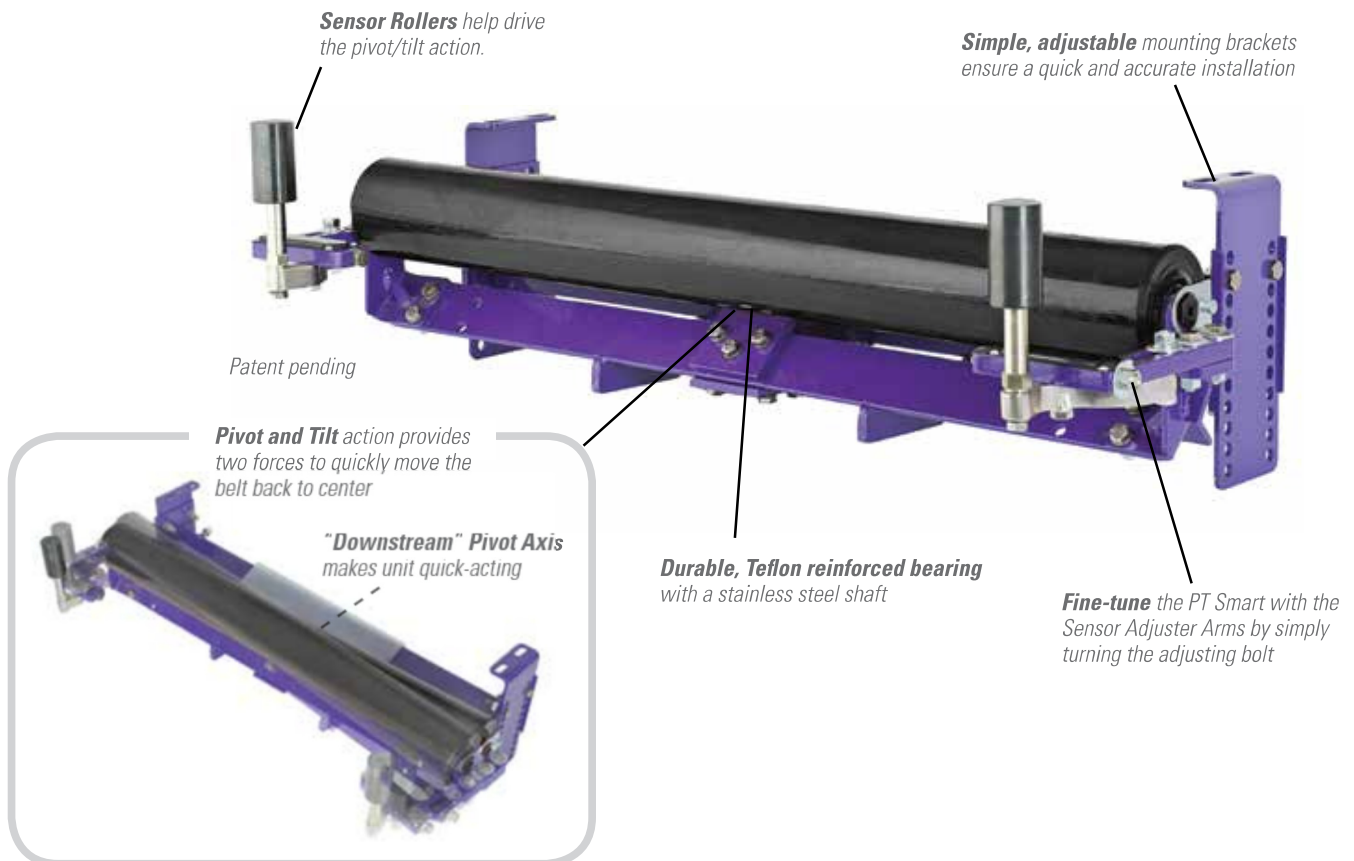


The Economical, Efficient Belt Training Solution

The PT Smart™ Belt Trainer takes our patented "pivot and tilt" design and puts it into a more economical, medium duty trainer. This unit reacts and compensates instantly to belt misalignment, ensuring that the belt stays away from the structure and the material stays on the belt. The result: a continuous solution to mistracking problems that cause damage to the belt and conveyor structure—at an affordable price.



Features and Benefits

- **Works in multiple applications.** Above-ground version features an idler belt-width+3" (75 mm), 2" (50 mm) sensor rollers, and easy-to-install mounting brackets. Underground version comes with an idler belt-width+9"(225 mm), 3" (75 mm) sensor rollers, and an extended mounting bracket for underground structures.
- **Easy ordering and installation.** Enhanced to meet instant demands for training solutions, the PT Smart is available on a one-working-day lead time. The simple brackets and component construction also ensures a quick and easy installation.
- **Economical.** PT Smart is a very versatile, budget-conscious, out-of-the-box solution.
- **Made to last.** Durable and strong, the PT Smart offers a 2-year "No Risk" Performance Guarantee.
- **Works with mechanically fastened or vulcanized belts.**

Specifications and Guidelines

| Selection Guidelines | |
|-----------------------|---|
| MODEL | APPLICATION RANGE |
| PT Smart™ | Medium-duty belts up to 1600 PIW max tension. Belt width + 3" idler. Belt thickness 1" maximum. |
| PT Smart™ Underground | Medium-duty belts up to 1600 PIW max tension. Belt width + 9" idler. Belt thickness 1" maximum. Fits underground structure. |

| Selection Guidelines | | |
|---------------------------------|----------------------------|----------------------------|
| CONVEYOR CRITERIA | PT SMART™ | PT SMART™ UNDERGROUND |
| Top side mistracking | NO | NO |
| Return side mistracking | YES | YES |
| Belt mistracking to one side | EXCELLENT | EXCELLENT |
| Belt mistracking to both sides | EXCELLENT | EXCELLENT |
| Inconsistent tracking problem | EXCELLENT | EXCELLENT |
| Belt is cupped (heavy) | GOOD | GOOD |
| Belt has low running tension | EXCELLENT | EXCELLENT |
| Belt has medium running tension | EXCELLENT | EXCELLENT |
| Belt has high running tension | GOOD | GOOD |
| Approx. "upstream" effect* | 20' (6 M) | 20' (6 M) |
| Approx. "downstream" effect* | 120' - 150' (36 - 45 M) | 120' - 150' (36 - 45 M) |

Maximum Belt Speed: 1000 FPM (5M/sec)

Temperature Rating: -40°F to 180°F (-40°C to 71°C)

Belt Direction: One way

Available for Belt Widths: 18" to 72" (450 to 1800 mm)

| Ordering Information | | | | | |
|--|------|-----------------|-----------|---------------------|-----------|
| Belt Width | | Ordering Number | Item Code | Ordering Number | Item Code |
| in. | mm | | | | |
| PT Smart™ Belt Trainer | | | | Replacement Rollers | |
| 18 | 450 | PTS-18R | 77664 | PTS-RR21 | 77680 |
| 24 | 600 | PTS-24R | 77665 | PTS-RR27 | 77681 |
| 30 | 750 | PTS-30R | 77666 | PTS-RR33 | 77682 |
| 36 | 900 | PTS-36R | 77667 | PTS-RR39 | 77683 |
| 42 | 1050 | PTS-42R | 77668 | PTS-RR45 | 77684 |
| 48 | 1200 | PTS-48R | 77669 | PTS-RR51 | 77685 |
| 54 | 1350 | PTS-54R | 77670 | PTS-RR57 | 77686 |
| 60 | 1500 | PTS-60R | 77671 | PTS-RR63 | 77687 |
| 72 | 1800 | PTS-72R | 77672 | PTS-RR75 | 77689 |
| PT Smart™ Underground Structure Belt Trainer | | | | Replacement Rollers | |
| 30 | 750 | PTS-30R-UG | 77673 | PTS-RR39 | 77683 |
| 36 | 900 | PTS-36R-UG | 77674 | PTS-RR45 | 77684 |
| 42 | 1050 | PTS-42R-UG | 77675 | PTS-RR51 | 77685 |
| 48 | 1200 | PTS-48R-UG | 77676 | PTS-RR57 | 77686 |
| 54 | 1350 | PTS-54R-UG | 77677 | PTS-RR63 | 77687 |
| 60 | 1500 | PTS-60R-UG | 77678 | PTS-RR69 | 77688 |
| 72 | 1800 | PTS-72R-UG | 77679 | PTS-RR81 | 77690 |

Lead time: 1 working day

Authorized Distributor:



2525 Wisconsin Avenue • Downers Grove, IL 60515-4200 • USA
Tel: (630) 971-0150 • Fax: (630) 971-1180 • E-mail: info@flexco.com

Visit www.flexco.com for other Flexco locations and products.

©2014 Flexible Steel Lacing Company. 09/14. For Reorder: X1966

